

## M8757 SERIES

DC/DC POWER SUPPLY



### PRODUCT HIGHLIGHTS

- MINIATURE
- HIGH DENSITY
- RUGGED
- FIVE OUTPUTS
- DC/DC CONVERTER
- UP TO 100W



## Applications

Military, Ruggedized, Telecom, Industrial

## Special Features

- Miniature size
- High efficiency
- Wide input range
- High density: Up to 15 W/in<sup>3</sup>
- Input-to-outputs & out-to-out isolation
- Fixed switching frequency (250 kHz)
- Synchronizable to external clock
- Remote inhibit (TTL logic/dry contact)
- EMI filters included
- Indefinite overload & short-circuit protection with auto-recovery
- Over temperature protection (shutdown) with auto-recovery

## Environmental Conditions

Meets MIL-STD-810G

- Temperature
  - Operating: -55°C to +85°C (baseplate)
  - Storage: -55°C to +125°C
- Humidity: 95% @ +60°C, 10 cycles
- Low pressure: 69kft @ -30°C/+70°C, 80 min
- Acoustical noise: 141dB, 50Hz-10kHz, 21 min
- Linear acceleration (all axes): 60g, 90 seconds
- Operational Vibration (all axes)
  - Random: 10.45 g<sub>rms</sub>, 4-2000Hz, 2 hours
- Transportation Vibration
  - Ground: 2.19g<sub>rms</sub> (all axes), 5-500Hz, 1 hour
  - Air: 0.4g<sub>rms</sub> (X&Y), 0.79g<sub>rms</sub> (Z), 10-2000Hz, 75 minutes
- Shock (all axes)
  - Mechanical: 25g, 11msec, half-sine
  - Pyro: 100Hz/100g; 2kHz/600g; 4kHz/600g

## Reliability

150,000 hours, calculated per MIL-STD-217F at +85 °C baseplate, Ground Fixed.

## Electrical Specifications

### DC INPUT

DC Input range: 18 to 48 V<sub>DC</sub>

### Input transient protection

All models meet or exceed (no damage) MIL-STD-1275A (100V for 50 mSec) and MIL-STD-704A (80V for 0.1 Sec)

Over/under voltage lockout with auto-recovery Efficiency: up to 82%

### EMC

Meets MIL-STD-461F\* CS106, CE102, CS101, CS114, CS115, CS116, RE102 RS103

### Isolation

200V between Input to Output

200V between Input to Case

### DC OUTPUTS (all floating)

#### Line/Load regulation

Less than 1% (no load to full load, -55°C to 85°C)

Ripple and Noise: 50mV<sub>p-p</sub>, typical (ma. 1%)

#### Current limiting

(Output 1: hiccup; other outputs: foldback) Continuous protection for unlimited time

#### Over voltage protection

Passive, via transorb on outputs

#### Isolation

100V between Output to Case

#### Over Temperature Protection

Shutdown temp.: +100° C±5 °.C (at baseplate)  
Automatic recovery temp.: +90° C±5 °.C

\* EMC compliance achieved when tested with 5 μH LISNs, shielded harness and static resistive load.

**Pin Assignment – Standard Version**

**Connector type:** RM272-040-312-2900 or eq

**Mating connector:** RM242-040-241-5900 (solder cup), RM242-040-571-5900 (crimp removable) or eq

.Pin No	Function	.Pin No	Function	.Pin No	Function
35 ,34 ,16 ,15	(+) VIN	31 - 28 ,11 - 8	(+) OUT 1	40	(+) OUT 3
33 ,32 ,14 ,13	(-) VIN RTN	27 - 24 ,7 - 4	(-) OUT 1 RTN	20	(-) OUT 3 RTN
36	INHIBIT	12	SENSE 1	1	(+) OUT 4
37	SYNC	23	SENSE 1 RTN	21	(-) OUT 4 RTN
17	SIGNAL RTN	38 ,18	(+) OUT 2	2	(+) OUT 5
22	CHASSIS	39 ,19	(-) OUT 2 RTN	3	(-) OUT 5 RTN

\* Signal RTN referenced to VIN RTN

**Signals Description– Standard Version**

**INHIBIT**

Description: Inhibits all outputs

Use: Apply short circuit or TTL "LOW" to inhibit selected output

Leave open or apply TTL "HIGH" to enable all outputs

Referenced to: SIGNAL RTN

**SYNC**

Description: Synchronizes internal switching frequency to system clock

Use: Apply TTL level, 250kHz ± 10kHz, 50% duty-cycle clock

Leave open if unused. In this case, the switching frequency will be set by the internal clock

Referenced to: SIGNAL RTN

**SENSE 1 & SENSE 1 RTN**

Description: Used to achieve accurate voltage regulation for output 1 at load terminal, to compensate for voltage drop across the leads connecting the converter to the load  
Limited to 0.5V

Use: Connect SENSE line directly to the load's positive terminal, and SENSE RTN directly to the load's negative terminal

If not used, connect SENSE 1 to OUT 1 and SENSE 1 RTN to OUT 1 RTN. Do not leave open

Referenced to: SENSE 1 RTN

**Pin Assignment - Optional**

Pin No.	Function	Pin No.	Function	Pin No.	Function
13, 14, 33, 34	VIN	8, 9, 10, 28, 29	OUT 1	1, 2	OUT 4
11, 12, 31, 32	VIN RTN	6, 7, 25, 26, 27	OUT 1 RTN	21, 22	OUT 4 RTN
35	INHIBIT 1	16, 36	OUT 2	3, 23	OUT 5
30	INHIBIT 2	17, 37	OUT 2 RTN	4, 24	OUT 5 RTN
15	SIGNAL RTN	38, 39, 40	OUT 3		
5	CHASSIS	18, 19, 20	OUT 3 RTN		

**Special Signals Description - Optional****INHIBIT 1**

Description: Inhibits OUT 1.

Use: Apply input voltage between INHIBIT 1 and SIGNAL RTN pins to inhibit selected output. Leave open or short INHIBIT 1 and SIGNAL RTN pins to enable output.

Referenced to: SIGNAL RTN

**INHIBIT 2**

Description: Inhibits OUT 2.

Use: Apply input voltage between INHIBIT 2 and SIGNAL RTN pins to inhibit selected output. Leave open or short INHIBIT 2 and SIGNAL RTN pins to enable output.

Referenced to: SIGNAL RTN

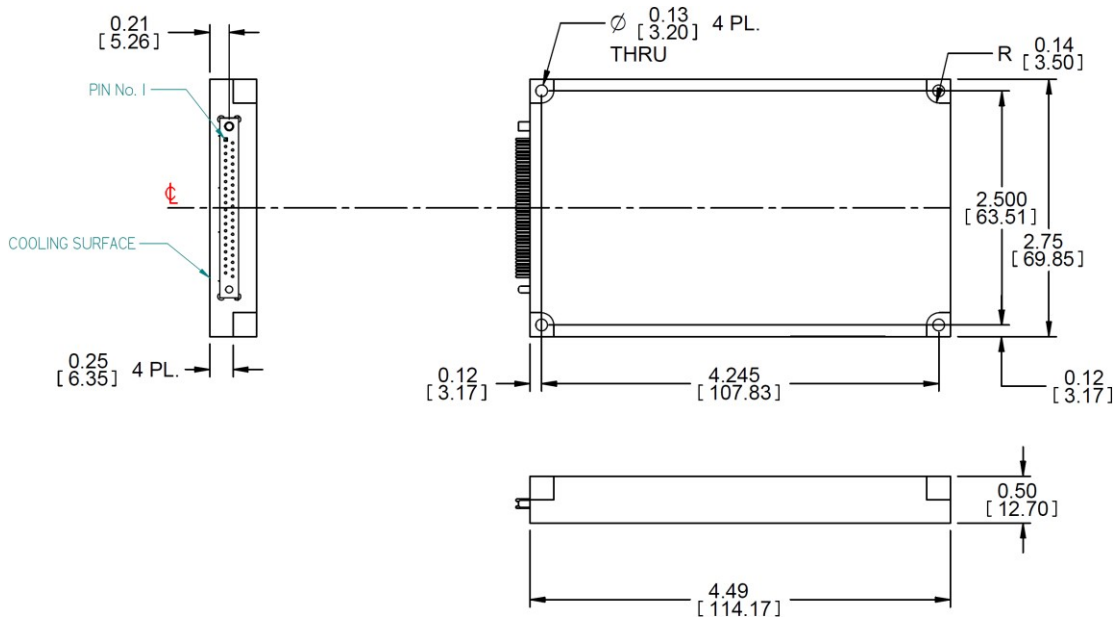
**SIGNAL RTN**

Description: Reference for INHIBIT 1 and INHIBIT 2 signals.

Use: Apply signal between desired pin and this pin to initiate desired action.

Referenced to: This signal is isolated from all rails and returns in the power supply.

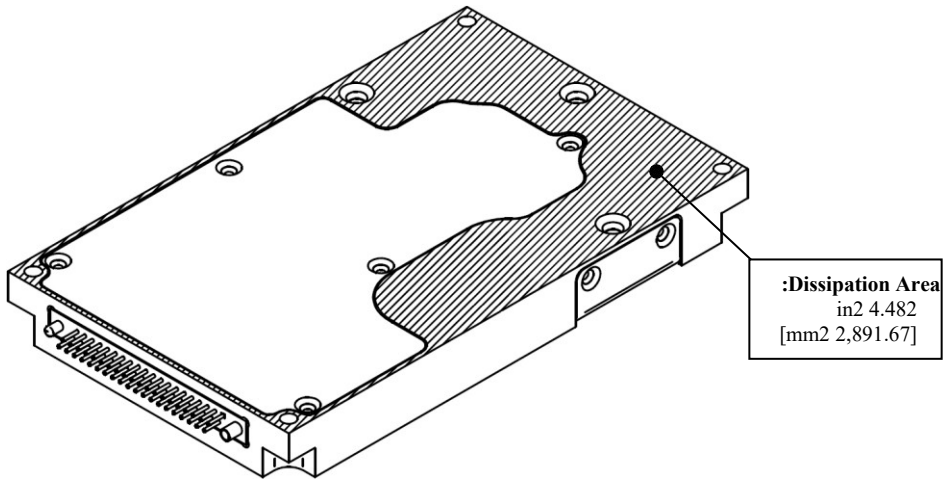
**Outline Drawing**



**Notes**

1. Dimensions are in Inches [mm]
2. :Tolerance is  
XX.±IN 01.  
XXX.±IN 005.
3. Weight: Approx. 13.4 oz (380 g)

**Heat Dissipation Area**



Specifications are subject to change without prior notice by the manufacturer