

## M714 SERIES

DC/DC POWER SUPPLY



### PRODUCT HIGHLIGHTS

- MINIATURE
- HIGH DENSITY
- QUAD OUTPUT
- DC/DC POWER SUPPLY
- UP TO 60 W



## APPLICATIONS

Military, Ruggedized, Telecom, Industrial

## SPECIAL FEATURES

- Miniature size
- High efficiency
- Wide input range
- Up to 15 W/IN<sup>3</sup>
- Input / Output isolation
- Fixed switching frequency (250KHz)
- TTL logic enable
- EMI/RFI filters included
- Indefinite short circuit protection with auto-recovery
- Input over-voltage shutdown with auto-recovery
- Over temperature shutdown with auto-recovery

## ENVIRONMENTAL

Meets or exceeds MIL-STD-810D

Temperature:

Operating (baseplate) -55°C to +85°C

Storage -55°C to +125°C

## RELIABILITY

150'000 hours, calculated per MIL-STD-217F at +85°C baseplate, ground fixed.

\* Specifications are subject to change without prior notice by the manufacturer

## ELECTRICAL SPECIFICATIONS

### DC INPUT

DC input range: 18 to 48 VDC

Input transient protection:

All models meet or exceed (no damage)  
MIL-STD-1275A (100V for 50mSec) and  
MIL-STD-704A, MIL-STD-704D (80V for 0.1Sec)

Over-voltage shutdown with autorecovery

Efficiency: up to 82%

EMI/RFI:

Design to meet or exceed MIL-STD-461C  
CE03, CE07, CS01, CS02, CS06, RE02, RS02, RS03

Isolation:

200V between Input and Output

200V between Input and Case

### DC OUTPUT (floating)

Line /load regulation:

Less than 2% (no load to full load, -55°C to +85°C)

Ripple and noise: 50mVp-p, typical (max. 1%)

Current limiting (Hiccup):

Continuous protection for unlimited time.

Over voltage protection:

Passive transzorb on output.

Over temperature protection:

Shutdown at baseplate temperature of +100°C (±5°C)

Automatic recovery at baseplate temperature  
lower than +90°C (±5°C)

Isolation:

200V between Output and Input

100V between Output and Case

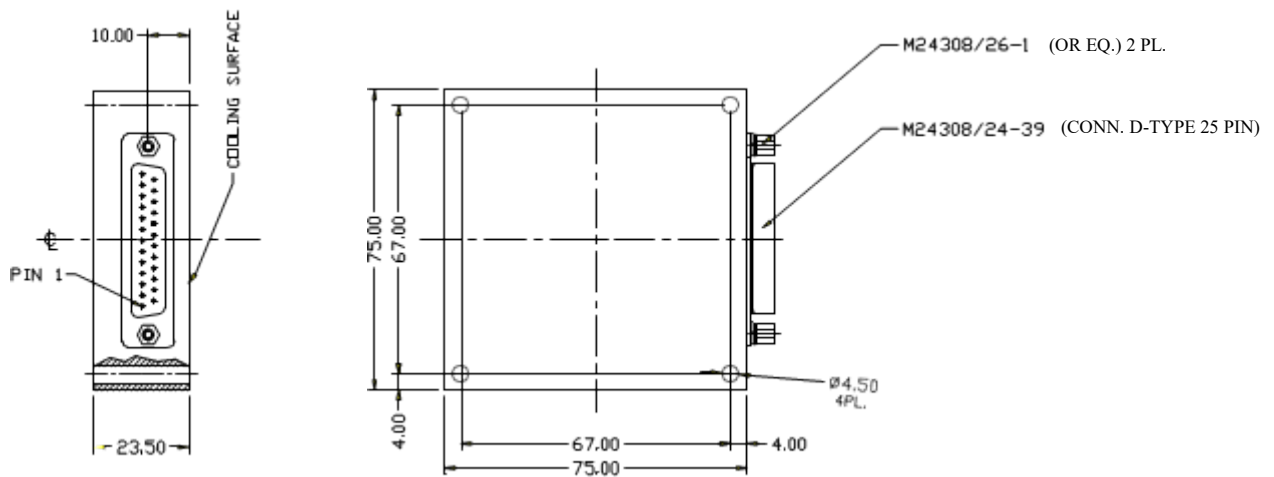
**PIN ASSIGNMENT**

Pin No.	Pin Function
11, 23	+ VIN
10, 22	VIN RTN
12, 24	+ OUT 1
13, 25	- OUT 1
1, 14	+ OUT 2

Pin No.	Pin Function
2, 15	- OUT 2
3, 16	N.C.
4, 17	N.C.
5, 18	N.C.
6, 19	N.C.

Pin No.	Pin Function
7	SYN IN
8	SIGNAL RTN
9	INHIBIT
20	+ SENSE OUT 1
21	- SENSE OUT 1

**OUTLINE DRAWING**



**Notes**

1. Dimensions are in Inches [mm]
2. Tolerance is:  
.XX ±.02 IN  
.XXX ±.01 IN
3. Weight: 8.8 Oz (250 gr)

\*Specifications are subject to change without prior notice by the manufacturer