

M2786 SERIES

DC/DC POWER SUPPLY



PRODUCT HIGHLIGHTS

- MINIATURE, HIGH DENSITY
- DUAL OUTPUT
- DC/DC POWER SUPPLY
- UP TO 30 W



<p>Applications <i>Military (Airborne, ground-fix, shipboard), Ruggedized, Telecom, Industrial</i></p>					
<p>Special Features</p> <ul style="list-style-type: none"> • Miniature size • Wide input range • Input / Output isolation • Remote sense compensation • Remote Inhibit (On/Off) • <u>Fixed</u> switching freq. (250 kHz) • External sync. capability • <u>EMI</u> filters included • Non-latching protections: <ul style="list-style-type: none"> ○ Overload/short-circuit ○ Over temperature 					
<p>Electrical Specifications</p> <table border="0" style="width: 100%;"> <tr> <td style="vertical-align: top; width: 33%;"> <p><u>DC Input</u> Voltage range: 18 to 48 V_{DC}, IAW MIL-STD-704E.</p> <p>No damage (but may restart) if exposed to over-voltage surges IAW MIL-STD-1275A (100 V / 50 ms) & MIL-STD-704A (80 V / 0.1 s)</p> <p><u>Line/Load regulation</u> Less than ±1% (Low to high line voltage, no load to full load, -55 °C to +85 °C baseplate temperature).</p> <p><u>Ripple and Noise</u> Less than 50 mV_{p-p}, typical (max. 1%) without external capacitance. When connected to system capacitance ripple drops significantly.</p> </td> <td style="vertical-align: top; width: 33%;"> <p><u>DC Output</u></p> <p>Output #1 Voltage range: 2.5 to 28 V_{DC} Current range: 0 to 3 A. Power range: 0 to 15 W</p> <p>Output #2 Voltage range: 2.5 to 28 V_{DC} Current range: 0 to 3 A. Power range: 0 to 15 W Total power range: 0 to 30 W</p> <p><u>Efficiency</u> 75% Typical (full load, nominal line voltage, room temperature)</p> <p><u>Step Load Over-and-undershoot</u> Output resistance at load change of 50%-100% is 30-120 mΩ (depending on output voltage). Output back to steady stated within 300-500 μs</p> </td> <td style="vertical-align: top; width: 33%;"> <p><u>Isolation</u> Input to Output: 200 V_{DC} Input to Case: 200 V_{DC} Output to Case: 100 V_{DC}</p> <p><u>EMC</u> Designed to meet* MIL-STD-461F CE101, CE102, CS101, CS114, CS115, CS116, RE101, RE102, RS101, RS103</p> <p><u>Turn-on Transient</u> No voltage overshoot during power on.</p> </td> </tr> </table>			<p><u>DC Input</u> Voltage range: 18 to 48 V_{DC}, IAW MIL-STD-704E.</p> <p>No damage (but may restart) if exposed to over-voltage surges IAW MIL-STD-1275A (100 V / 50 ms) & MIL-STD-704A (80 V / 0.1 s)</p> <p><u>Line/Load regulation</u> Less than ±1% (Low to high line voltage, no load to full load, -55 °C to +85 °C baseplate temperature).</p> <p><u>Ripple and Noise</u> Less than 50 mV_{p-p}, typical (max. 1%) without external capacitance. When connected to system capacitance ripple drops significantly.</p>	<p><u>DC Output</u></p> <p>Output #1 Voltage range: 2.5 to 28 V_{DC} Current range: 0 to 3 A. Power range: 0 to 15 W</p> <p>Output #2 Voltage range: 2.5 to 28 V_{DC} Current range: 0 to 3 A. Power range: 0 to 15 W Total power range: 0 to 30 W</p> <p><u>Efficiency</u> 75% Typical (full load, nominal line voltage, room temperature)</p> <p><u>Step Load Over-and-undershoot</u> Output resistance at load change of 50%-100% is 30-120 mΩ (depending on output voltage). Output back to steady stated within 300-500 μs</p>	<p><u>Isolation</u> Input to Output: 200 V_{DC} Input to Case: 200 V_{DC} Output to Case: 100 V_{DC}</p> <p><u>EMC</u> Designed to meet* MIL-STD-461F CE101, CE102, CS101, CS114, CS115, CS116, RE101, RE102, RS101, RS103</p> <p><u>Turn-on Transient</u> No voltage overshoot during power on.</p>
<p><u>DC Input</u> Voltage range: 18 to 48 V_{DC}, IAW MIL-STD-704E.</p> <p>No damage (but may restart) if exposed to over-voltage surges IAW MIL-STD-1275A (100 V / 50 ms) & MIL-STD-704A (80 V / 0.1 s)</p> <p><u>Line/Load regulation</u> Less than ±1% (Low to high line voltage, no load to full load, -55 °C to +85 °C baseplate temperature).</p> <p><u>Ripple and Noise</u> Less than 50 mV_{p-p}, typical (max. 1%) without external capacitance. When connected to system capacitance ripple drops significantly.</p>	<p><u>DC Output</u></p> <p>Output #1 Voltage range: 2.5 to 28 V_{DC} Current range: 0 to 3 A. Power range: 0 to 15 W</p> <p>Output #2 Voltage range: 2.5 to 28 V_{DC} Current range: 0 to 3 A. Power range: 0 to 15 W Total power range: 0 to 30 W</p> <p><u>Efficiency</u> 75% Typical (full load, nominal line voltage, room temperature)</p> <p><u>Step Load Over-and-undershoot</u> Output resistance at load change of 50%-100% is 30-120 mΩ (depending on output voltage). Output back to steady stated within 300-500 μs</p>	<p><u>Isolation</u> Input to Output: 200 V_{DC} Input to Case: 200 V_{DC} Output to Case: 100 V_{DC}</p> <p><u>EMC</u> Designed to meet* MIL-STD-461F CE101, CE102, CS101, CS114, CS115, CS116, RE101, RE102, RS101, RS103</p> <p><u>Turn-on Transient</u> No voltage overshoot during power on.</p>			

* Compliance achieved with 5μH LISN, shielded harness and static resistive load.

Protections *

Input

- **Under-Voltage Lockout**
Unit shuts down when input voltage is below 16.5 V ± 1 V.
- **Over-Voltage Lockout**
Unit shuts down when input voltage is above 52 V ± 2 V.

Output

- **Passive Overvoltage Protection**
Transorbs available on both outputs, rated to 115% ± 10% of nominal output voltage.
- **Current limiting**
Continuous protection (10-30% above maximum current) for unlimited time (Hiccup).

General

- **Over temperature protection**
Shutdown if base plate temperature rises above +105 °C ± 5 °C. Automatic recovery at base plate temperature falls below +95 °C ± 5 °C.

Environmental Conditions

Designed to meet environmental conditions IAW MIL-STD-810G:

Temperature

Method 501.5 Procedures I & II
Method 502.5 Procedures I & II
Operating: -55 °C to +85 °C (baseplate)
Storage: -55 °C to +125 °C (ambient)

Altitude

Method 500.5
Procedures I & II
Up to 70 000 ft. operational

Salt Fog

Method 509.5

Humidity

Method 507.5
Up to 95% RH.

Vibration (Random)

Method 514.6
Random Vibration, Category 24, Fig 514.6E-1.

Shock

Method 516.6
30 g, 11 ms terminal peak saw-tooth (all directions)

Reliability

150,000 hours, calculated per MIL-STD-217F Notice 2 at +85°C base plate, Ground fixed.

Environmental Stress Screening (ESS)

Including random vibration and thermal cycles is also available. **Please consult factory for details.**

* Thresholds and protections can be modified / removed – please consult factory.

Pin Assignment**Connector type:** Airborne RM272-020-312-2900 or eq.**Mating connector:** Airborne RM242-020-571-5900 or eq. (other options available)

Pin Number	Function	Polarity
1	VOUT 1 **	(+)
2	VOUT 1 SENSE RTN	(-)
3	VOUT 1 RTN**	(-)
4	SIGNAL RTN	
5	INHIBIT	
6	VIN RTN	(-)
7	VIN	(+)
8	VOUT 2 SENSE RTN	(-)
9	VOUT 2 RTN *	(-)
10	VOUT 2 *	(+)

Pin Number	Function	Polarity
11	VOUT 1 **	(+)
12	VOUT 1 SENSE	(+)
13	VOUT 1 RTN**	(-)
14	SYNC	
15	VIN RTN	(-)
16	VIN	(+)
17	CHASSIS	
18	VOUT 2 RTN *	(-)
19	VOUT 2 *	(+)
20	VOUT 2 SENSE	(+)

* Master output

** Slave output

Notes:

1. Slave output is sequenced after master output. **Please consult factory for details.**
2. All pins with identical function/designation should be connected together for proper operation.

INHIBIT signal

The **INHIBIT** signal is used to turn the power supply ON and OFF.

TTL "1" or OPEN – will turn on the power supply (For normal operation leave the signal not connected).

TTL "0" – will turn off the power supply.

SYNC signal

The SYNC signal is used to allow the power supply frequency to sync with the system frequency.

The system frequency can be 250 kHz ± 10 kHz.

When not connected, the power supply will work at internal frequency, close to 250 kHz ± 10 kHz.

SIGNAL RTN

The SIGNAL RTN is used as grounding for **SYNC** and **INHIBIT** signals.

This is referenced to the **VIN RTN** pin.

VOUT SENSE

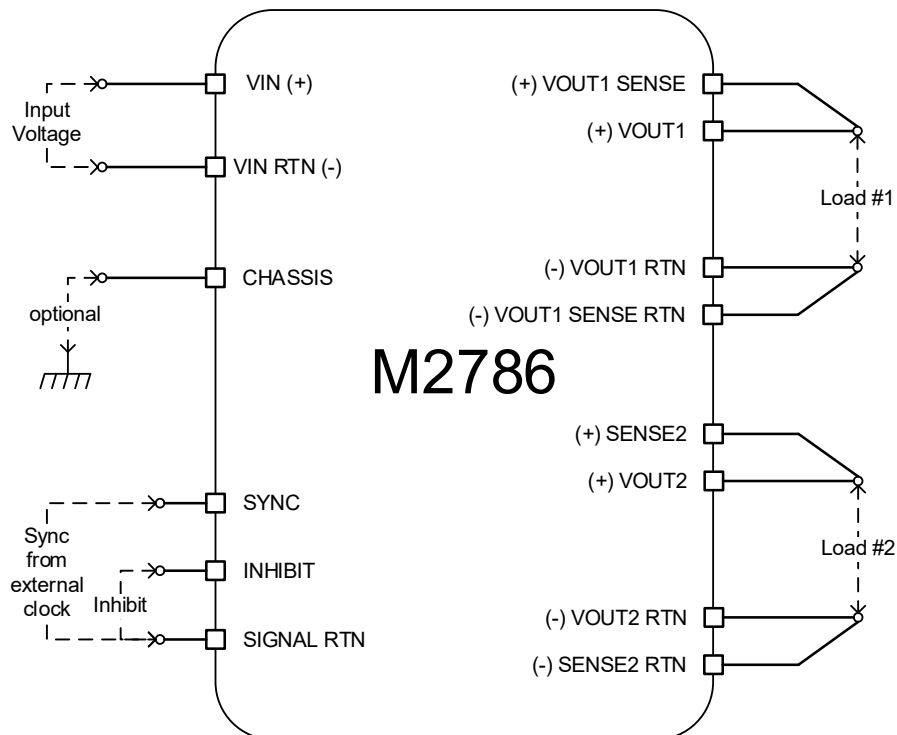
The **SENSE** is used to achieve accurate load regulation at the load terminals. This is done by connecting these pins directly to their respective load terminals. The use of remote sense has a limit of voltage dropout between converter's output and load terminals of 2-10% of voltage output.

When not used connect **SENSE** to **VOUT** and **SENSE RTN** to **VOUT RTN** for each of the outputs.

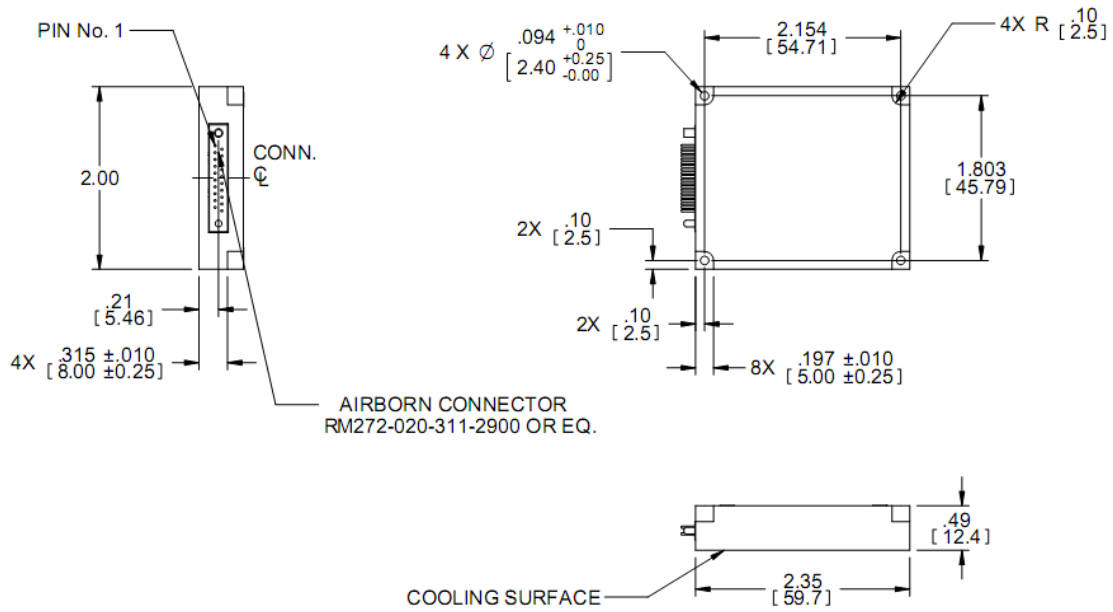
Chassis PIN

This chassis pin allows connection of the unit chassis to system chassis.

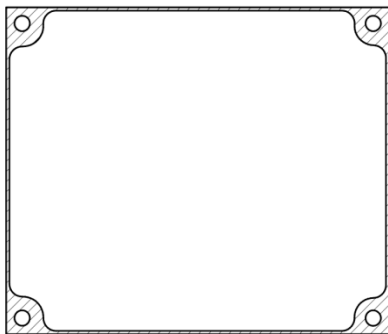
Typical Connection Diagram



Outline Drawing



Heat Dissipation Surface



Dissipation Area
0.31 in²

Notes

1. Dimensions are in inches [mm]
2. Tolerance is:
.XX ± 0.01 in
.XXX ± 0.005 in

Note: Specifications are subject to change without prior notice by the manufacturer